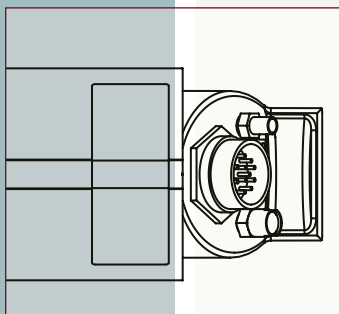
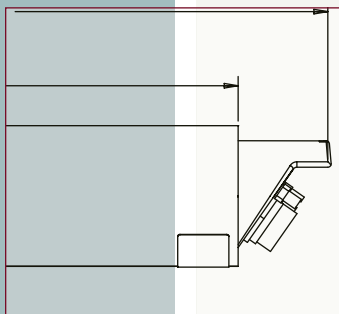
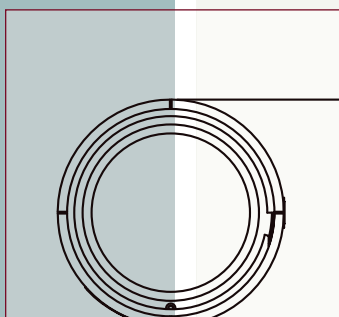




- **IP68/NEMA-6P**
- **All Aluminum Construction**
- **Built-in Handle for Easy Installation**
- **Excellent Protection Against Dust & Water**
- **Built-in Window Heater/Defogger**
- **Pressurization Model Option**

Specialty Series Outdoor Housings



HS9384 Series

The HS9384 Specialty Series outdoor housings are designed to protect a camera and lens from harsh environments. These IP68/NEMA-6P rated housings are constructed of extruded aluminum and include a camera/lens mounting cradle with front and rear-end caps. The front-end cap contains the glass viewing window with an integral heater design that minimizes fogging of the window in high humidity areas or freezing under cold temperature conditions. The aluminum rear-end cap contains three liquid-tight fittings that permit pass-through of video coax, AC power, and lens control wiring. The pressurized version includes one prewired military-style connector.

The permanent base permits mounting to pan/tilts, adjustable heads, and various wall mounts, and the built-in handle on the back of the housing allows for quick installation and service.

ORDERING GUIDE

Order the housing that meets your needs. Start with the Model number, then specify your power requirements. Select from the options available to complete your custom housing. If you need further customization - call the factory with your exact specification requirements.

EXAMPLE: HS9384-2HP-9

model	power	heater	pressurization	housing length*
HS9384	-2	H	P	-9
Specialty Outdoor Housing	-2 - 24 VAC, 50/60 Hz -5 - 220 VAC, 50/60 Hz -6 - 115 VAC, 50/60 Hz	H - window heater/defogger	P - optional Pressurization model	-9 - 9 inch housing*

* All housings come standard 16-inch length, **-9** added to a part number is for a 9-inch length housing.

OPTIONS		
	OPTION	
Rated Input (Voltage Range)	-2H	24 VAC, 50/60 Hz (21.6 to 26.4)
	-5H	220 VAC, 50/60 Hz (207 to 253)
	-6H	115 VAC, 50/60 Hz (108 to 132)
Heater	-H	Includes thermostatically controlled window heater/defogger. (Heater requires 10 watts)
Power Transformer (Voltage Output)	-5H	The power transformers included with these housings are used to step voltage down from 115 VAC to 24 VAC
	-6H	
Cable Entry	Standard	Three liquid-tight fittings. Accepts the following cable diameters: one fitting 0.09 in to 0.25 in (2.3 mm to 6.4 mm), two fittings 0.15 in to 0.39 in (3.8 mm to 10 mm).
	Pressurization Models *	-P One Corrosion-resistant 20 - 16 (shell size 20, 16-pin) MIL-C-26482 connector with mating connector and crimp pins supplied. Connections for Cat -5/6e, AC power, video, and lens control. Crimp pins accept wire gauges 20 - 16 AWG (24 - 20 AWG for 11 - pin and 24 - pin connectors). Pressurization Model can be filled with Dry Nitrogen pressure upon request.

* Other connectors are available (e.g. 18 - 11, 20 - 24). Call factory for specific requirements.

SPECIFICATIONS

Maximum Camera/Lens Size	
HS9384-5H, -6H, -5HP, -6HP	Accept cameras up to 2.5 x 2.3 in (64 W x 58 H mm), lenses up to 2.6 x 2.9 in (67 W x 75 H mm), and camera/lens combinations up to 11.5 in (292 mm).
HS9384-2H, -2HP	Accept cameras up to 2.5 x 2.3 in (64 W x 58 H mm), lenses up to 2.6 x 2.9 in (67 W x 75 H mm), and camera/lens combinations up to 14.0 in (355 mm).
HS9384-2H-9, -2HP-9	Accept cameras up to 2.5 x 2.3 in (64 W x 58 H mm), lenses up to 2.6 x 2.9 in (67 W x 75 H mm), and camera/lens combinations up to 5.75 in (146 mm).
Window	0.118 in (3 mm) thick glass. Includes thermostatically-controlled window heater/defogger.
Housing Mounting	Three (3) 1/4-20 tapped holes.
Camera Mounting	Removable cradle assembly with hole pattern for mounting camera/lens assembly. Cradle may be rotated through 360°.
Construction	Non-Pressurized Models: All aluminum construction. Extruded housing, one-piece camera cradle with front and rear caps. Front cap contains glass faceplate. Cradle secured by external captive screw at the rear of the unit. Pressurized Models: All aluminum construction. Extruded housing, two-piece camera cradle. Separate front cap secured by snap rings. Rear cap contains corrosion resistant connector, fill valve and relief valve. Camera cradle and rear cap secured in place by snap ring at rear of unit.
Finish	Light gray.
Dimensions	See drawings.

WEIGHTS	
Model	Weight
HS9384-2HP-9	2.8 lbs (1.3 kg)
HS9384-2HP	4.6 lbs (1.3 kg)
HS9384-5HP	5.8 lbs (2.6 kg)
HS9384-6HP	5.8 lbs (2.6 kg)
HS9384-2H	4.0 lbs (1.9 kg)
HS9384-2H-9	2.8 lbs (1.3 kg)
HS9384-5H	5.2 lbs (2.4 kg)
HS9384-6H	5.2 lbs (2.4 kg)

ENVIRONMENTAL

Temperature:

At external ambient temperatures of -40°F to 122°F (-40°C to 50°C), maintains internal temperatures between -4°F to 131°F (-20°C to 55°C).

Salt Atmosphere:

MIL-STD-810E, Method 509, Procedure I.

Enclosure Protection:

Designed to meet IP68/NEMA-6P.

ELECTROMAGNETIC COMPATIBILITY

EMC Requirements:

Immunity: 89/336/EEC, EN50082-1.

Emission: 89/336/EEC, EN50081-1 Class B.

Safety:

CE: LVD Requirements: 73/23/EEC; EN60065.

UL: UL2044.

cUL: CSA 22.2, No.1.

ACCESSORIES

HS9384SS & HS9384SS-10 Sunshields: Provides protection from the direct rays of the sun and promotes cooling to reduce internal housing temperatures.

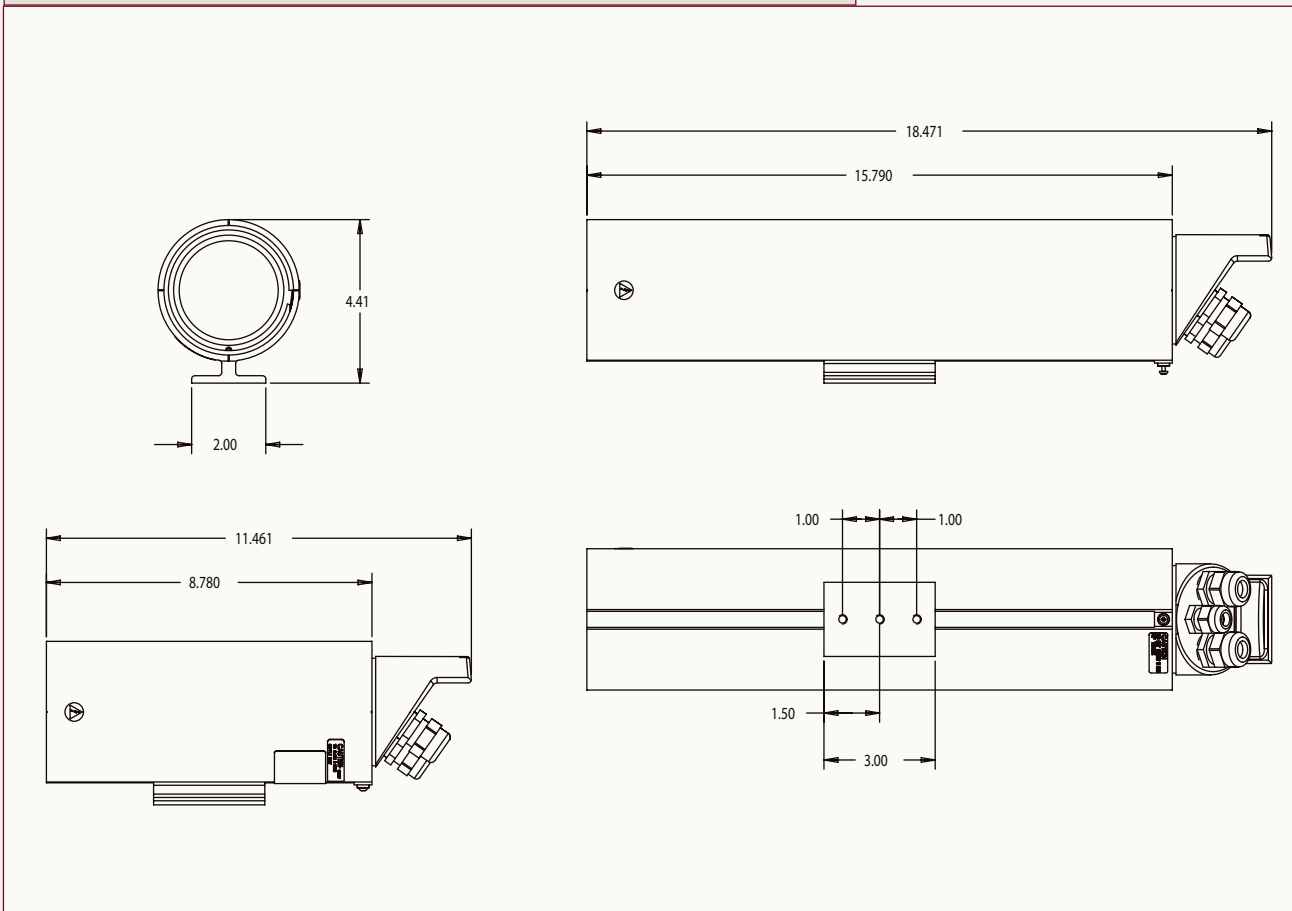
HS9384TK Tamper Resistant Kit: Includes screws and insertion tool to permit tamper-resistance for one housing.

MT9212: Wall mount, 12-inch, 20lb max load.

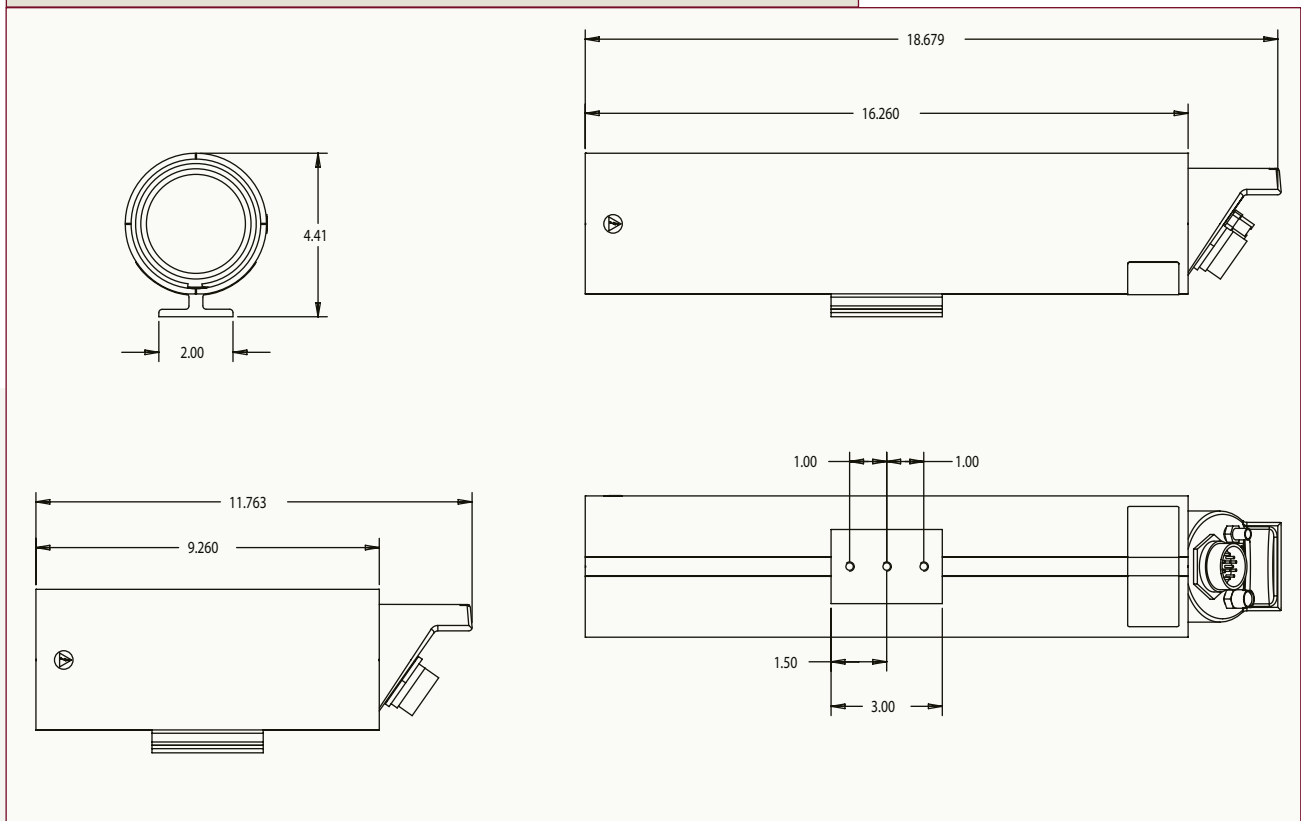
MT9210: Column mount, 8-inch, 20lb max load.

MT9223: Column mount, 24-inch, 20lb max load.

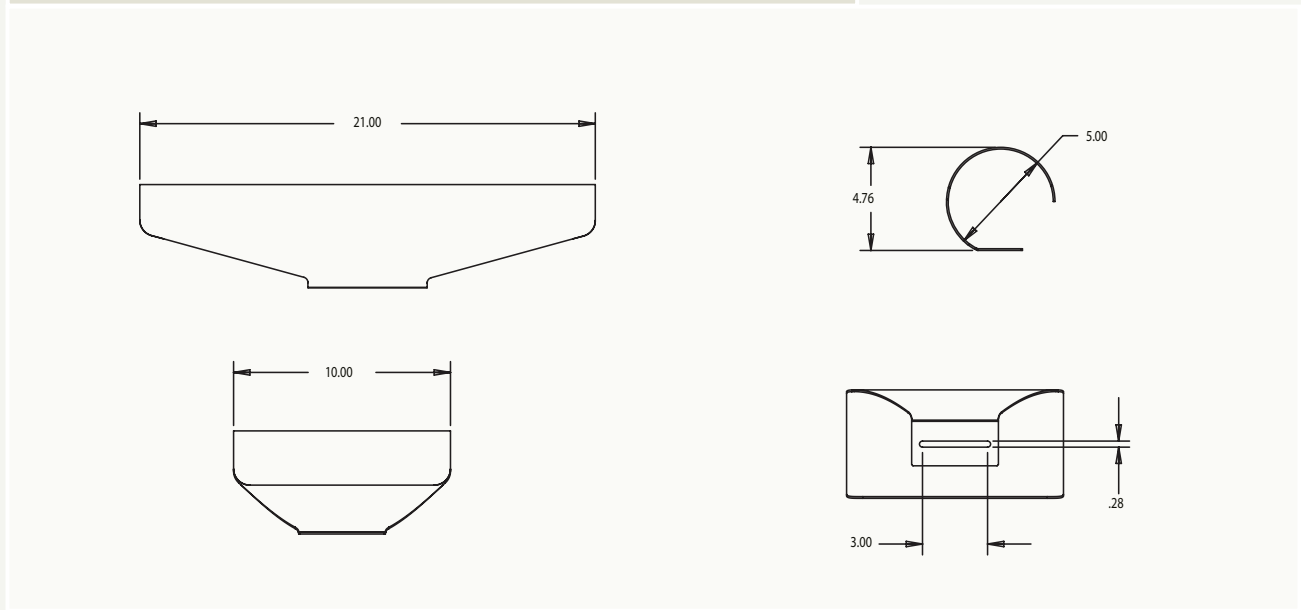
HS9384 SERIES DIMENSIONAL OUTLINE



HS9384 PRESSURIZATION MODELS - DIMENSIONAL OUTLINE



SUNSHIELD ACCESSORIES - HS9384SS & HS9384SS-10



aigis
mechtronics
Now Part of **Linear**[®]
Building On Innovation.

1950 Camino Vida Roble, Suite 150
Carlsbad, CA 92008
Tel: 760.438.7000 800.421.1587
www.aigismech.com • www.linearcorp.com