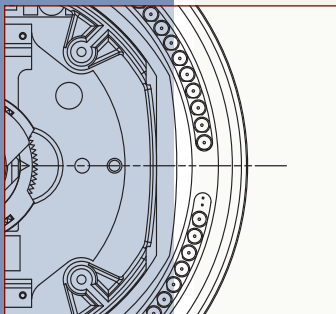
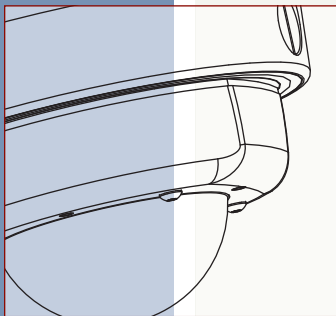
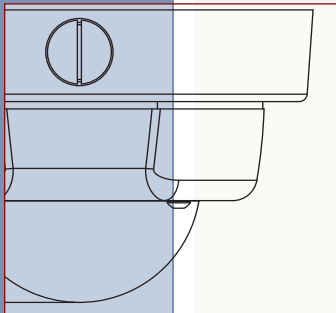




- Day/Night Camera in a Cast Aluminum Alloy Housing and a 3.9-inch Polycarbonate Dome
- 64 LED Output
- Maximum Range of over 80 Feet
- Separate Adjustments for Wide ( 40°) and Narrow ( 18°) Beams
- Adjustable Light Level for Automatic Turn on
- Microprocessor Controlled
- Configuration Options DIP Switch

## Day/Night Vandal Resistant Dome with IR Ring



### MLA2DN39IR

The Aigis MLA2DN39IR Day/Night IR Dome combines advanced day/night technology with high intensity IR illuminators to create a sharp picture in complete darkness. In low light conditions, the IR cut filter is automatically removed and the illuminators flood the area with infrared lighting over 80 feet in distance.

Along with the 1/4-inch day/night camera, this unit comes with an integrated 3.0 - 9.0mm vari-focal DC Auto-Iris lens and is prewired for quick installation. Its cast aluminum housing and polycarbonate dome allow it to withstand 120 lbs. of force. It can be mounted directly through the back or via a standard 3/4-inch conduit opening found on the side of the housing.

# SPECIFICATIONS

CAMERA SPECIFICATIONS			
<b>MLA2DN39IR</b>			
		<b>OPTIONS</b>	
Resolution		Horizontal: 480 TVL	
Voltage Range		24 VAC or 12 VDC, 60 Hz +/- 10%	
Power		20W	
Sensitivity minimum scene illumination f/1.4 lens, 50 IRE		1.2 lux (color mode)	0.00 lux (b/w mode)
Imager		1/4-inch Image Format; Interline Transfer CCD	
Scanning System		NTSC	
Signal to Noise		> 50dB	
Electronic Shutter		1/60 sec. Fixed (Flickerless; Off) / 1/100 sec. Fixed (Flickerless: ON)	
Lens		focal length 3.0 - 9.0mm	
Backlight Compensation		On/Off	
White Balance		ATW	
Video Output		1.0 Vp-p, 75 ohm	
Synchronizing System		2:1 Interlace	
Phase Adjust		0° to 180°	
IR Illumination Distance		Over 80 feet	
IR Configuration		64 LEDs, ( 40° wide & 18° narrow beams)	
Connector	Video	BNC	
	Power	In-line push wire connectors	
Angle of view	H	66.3° 23.9°	
	V	49.1° 17.9°	
Controls	IR Illuminator	IR Intensity (wide & narrow beams - 0 -100% ) Visible Light Sensor Light Sensor Override	
	Camera	Iris, Flickerless, Backlight Compensation, Synchronization Mode	
Options	<b>-N</b>	Includes unshielded twisted pair transmitter compatible with NVT receivers. Permits video transmission of up to 750 ft when passive receiver is used & 3000 ft when active receiver is used.	

### MECHANICAL SPECIFICATIONS

Housing	Construction		Polycarbonate dome (with light tint) on custom cast aluminum housing.
	Finish		Standard: Powder coated white finish. Custom finishes available.
		<b>-SS</b>	
Weight			1.3 lb (0.57 kg)
Cable Entry			3/4-inch conduit knockout through side or back
Mounting	Surface Mount		Mounts on wall or ceiling using up to four #10 screws.

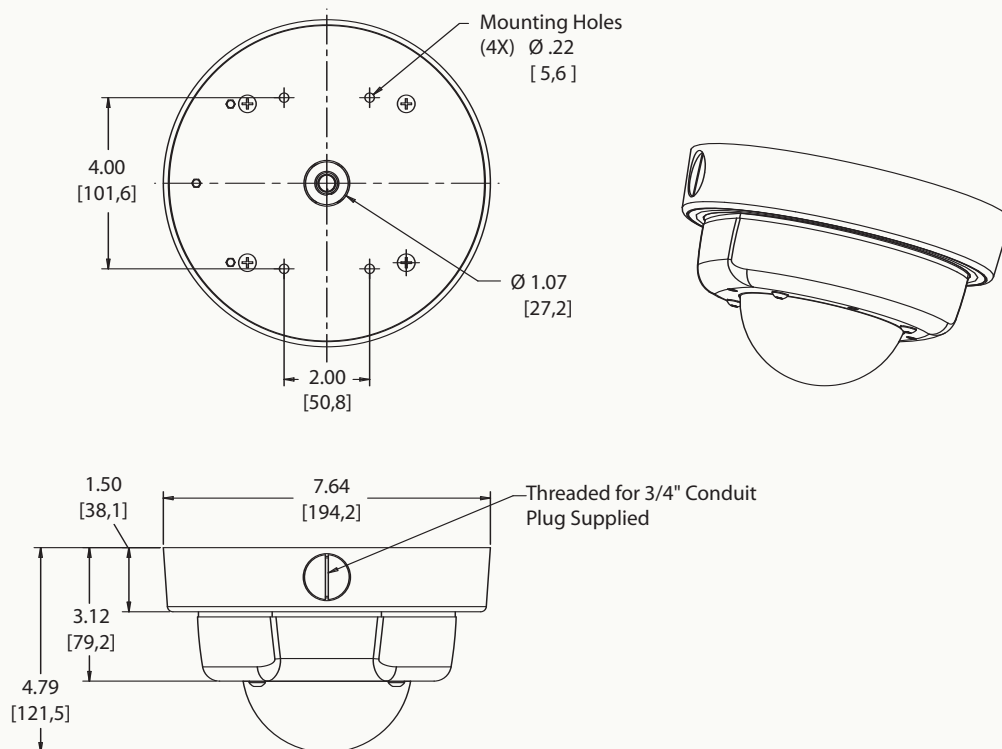
### ENVIRONMENTAL

Operating Temperature			-4 °F to +122 °F (-20 °C to +50 °C)
Humidity			0% to 90% relative, noncondensing.
Protection Level			IP 65.

### ELECTROMAGNETIC COMPATIBILITY

Electromagnetic Compatibility	EMC		FCC Class A.
	Safety		UL, cUL

### MLA2DN39IR SERIES - DIMENSIONAL DRAWING





mechtronics

©2007 Aigis Mechtronics

1124 Louise Road, Winston-Salem, NC 27107-5450

Tel: 336.785.7740 Fax: 336.785.7744

[www.aigismech.com](http://www.aigismech.com)

Data subject to change without notice

why limit your options?

05/07 rev\_01

preliminary specifications

Printed in U.S.A.