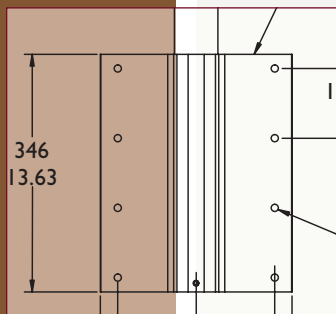
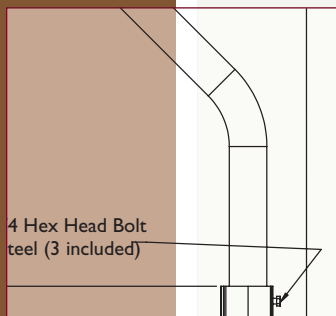
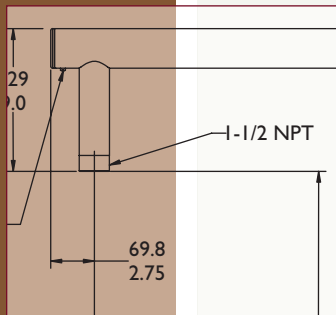


- **Aluminum Parapet Mount**
- **Swivels to Allow Easy Positioning**
- **Sturdy Construction**
- **Attractive Appearance**
- **Lightweight**
- **Corrosion-Resistant Finish**

Parapet Mount



MT9230

The MT9230 Parapet mount is designed to extend a camera more than 3 feet beyond a parapet wall. The MT9230 Parapet Mount accommodates products designed for standard 1-1/2 inch NPT pipe thread. The mount can be fitted on the inside or outside of parapet walls and can be swiveled 360° for easy set up and servicing. Also available is the MT9230RA Roof Mount which enables the parapet to be mounted on a flat surface.

This parapet mount can be custom made to a specified length. Call Linear for more details.

SPECIFICATIONS

MECHANICAL

Maximum Load: 64 lb (29 kg)

Load center of gravity located in line with load attachment point.

Load attachment point uses 1-1/2 NPT (Pipe thread).

Mounting Hardware: Not furnished

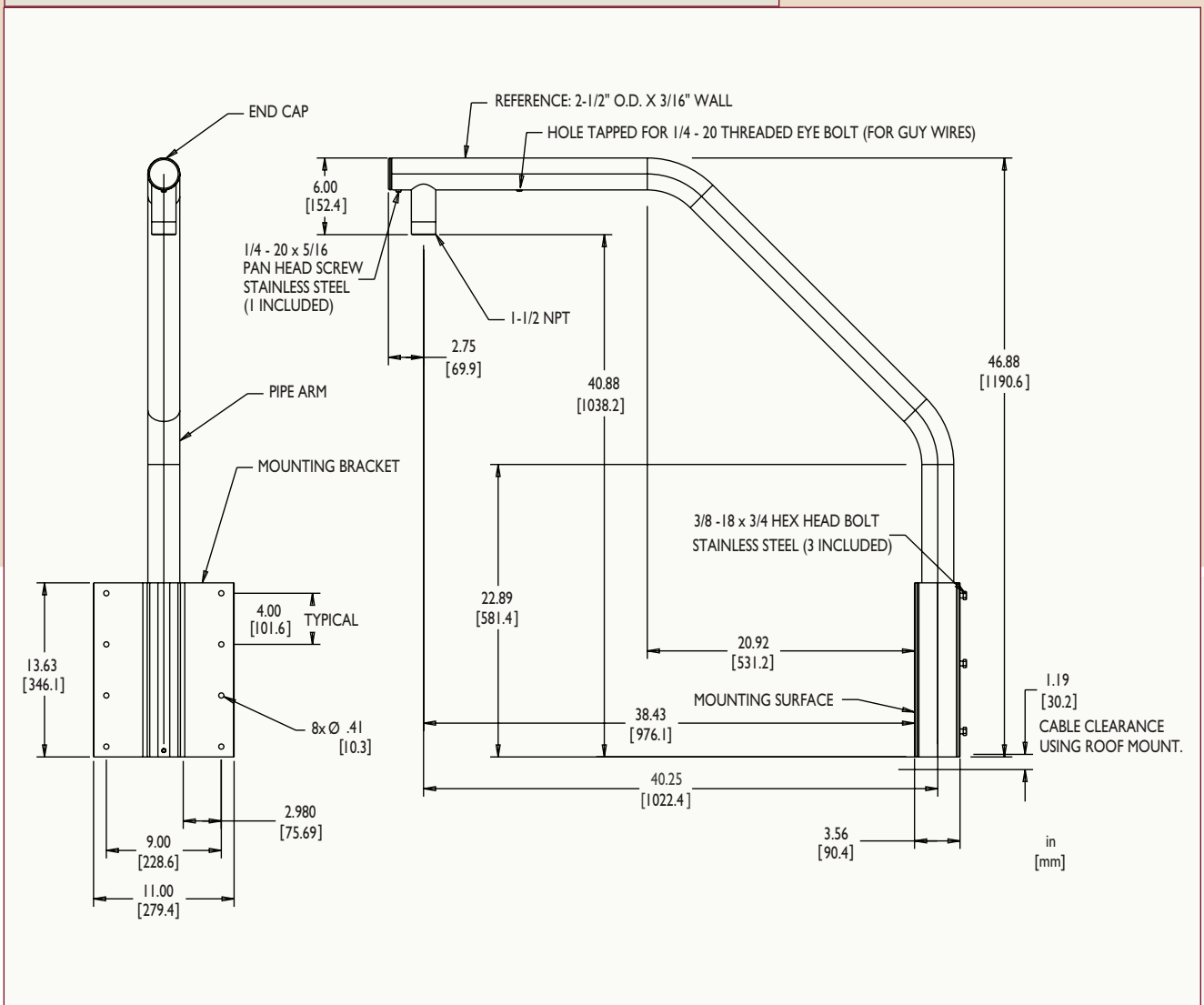
Finish: White

Construction: Aluminum

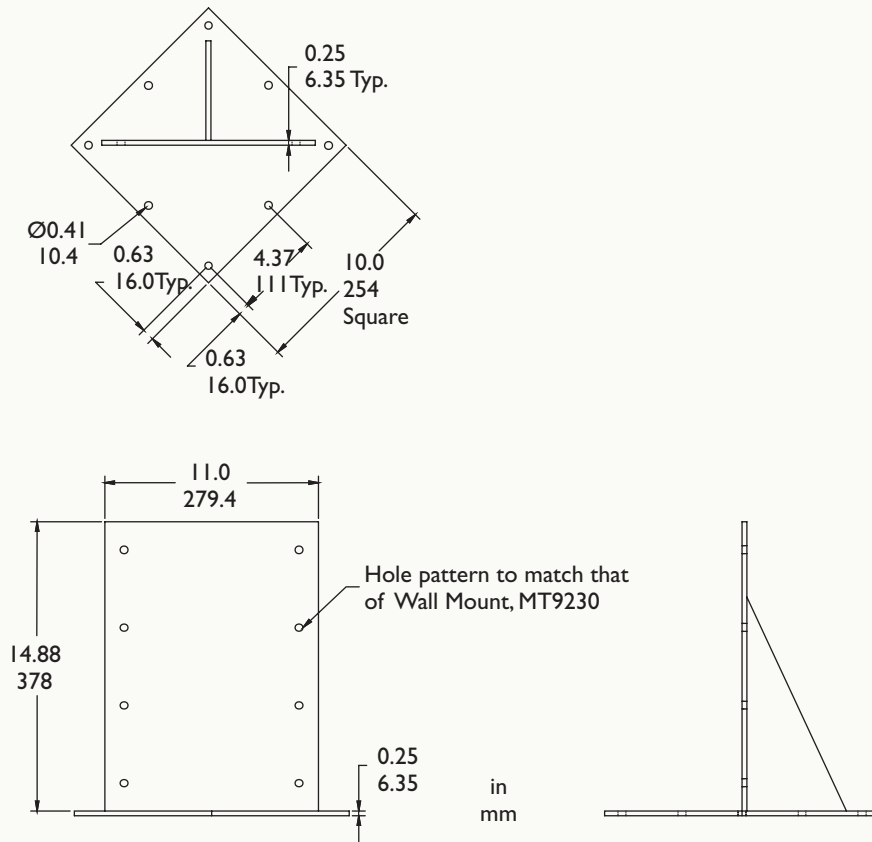
Dimensions: See **Dimensional Outline.**

Weight: 17 lb (7.7 kg).

MT9230 - DIMENSIONAL DRAWING



MT9230RA - ROOF MOUNT (OPTIONAL)



ACCESSORIES

ROOF MOUNTS:

For mounting unit in an upright position on a flat surface.

MT9230RA Aluminum Roof Mount Adapter



1950 Camino Vida Roble, Suite 150
Carlsbad, CA 92008
Tel: 760.438.7000 800.421.1587
www.aigismech.com • www.linearcorp.com