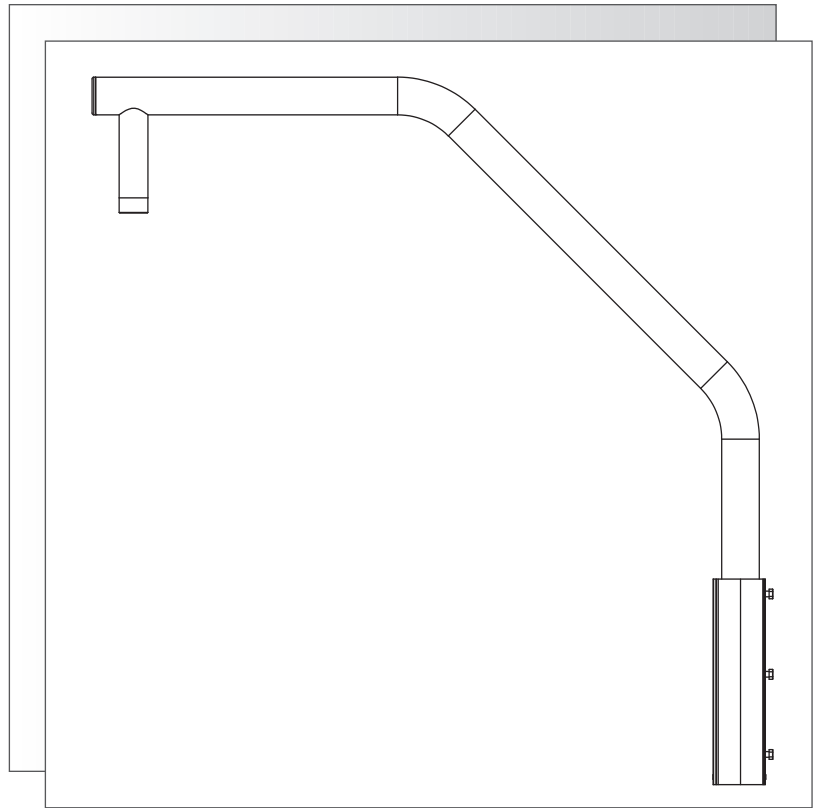



PARAPET MOUNT



MT9230

IMPORTANT SAFEGUARDS

1. Read Instructions - All the safety and operating instructions should be read before the unit is operated.
2. Retain Instructions - The safety and operating instructions should be retained for future reference.
3. Heed Warnings - All warnings on the unit and in the operating instructions should be adhered to.
4. Follow Instructions - All operating and use instructions should be followed.
5. Cleaning - Unplug the unit from the outlet before cleaning. Do not use liquid cleaners or aerosol cleaners. Use a damp cloth for cleaning.
6. Attachments - Do not use attachments not recommended by the product manufacturer as they may cause hazards.
7. Accessories - Do not place this unit on an unstable stand, tripod, bracket, or mount. The unit may fall, causing serious injury to a person and serious damage to the unit. Use only with a stand, tripod, bracket, or mount recommended by the manufacturer, or sold with the product. Any mounting of the unit should follow the manufacturer's instructions, and should use a mounting accessory recommended by the manufacturer.
 An appliance and cart combination should be moved with care. Quick stops, excessive force, and uneven surfaces may cause the appliance and cart combination to overturn.
8. Ventilation - Openings in the enclosure, if any, are provided for ventilation and to ensure reliable operation of the unit and to protect it from overheating. These openings must not be blocked or covered. This unit should not be placed in a built-in installation unless proper ventilation is provided or the manufacturer's instructions have been adhered to.
9. Power Sources - This unit should be operated only from the type of power source indicated on the marking label. If you are not sure of the type of power supply you plan to use, consult your appliance dealer or local power company. For units intended to operate from battery power, or other sources, refer to the operating instructions.
10. Grounding or Polarization - This unit may be equipped with a polarized alternating-current line plug (a plug having one blade wider than the other). This plug will fit into the power outlet only one way. This is a safety feature. If you are unable to insert the plug fully into the outlet, try reversing the plug. If the plug should still fail to fit, contact your electrician to replace your obsolete outlet. Do not defeat the safety purpose of the polarized plug.
Alternately, this unit may be equipped with a 3-wire grounding-type plug, a plug having a third (grounding) pin. This plug will only fit into a grounding-type power outlet. This is a safety feature. If you are unable to insert the plug into the outlet, contact your electrician to replace your obsolete outlet. Do not defeat the safety purpose of the grounding-type plug.
11. Power-Cord Protection - Power-supply cords should be routed so that they are not likely to be walked on or pinched by items placed upon or against them, paying particular attention to cords and plugs, convenience receptacles, and the point where they exit from the appliance.
12. Power Lines - An outdoor system should not be located in the vicinity of overhead power lines or other electric light or power circuits, or where it can fall into such power lines or circuits. When installing an outdoor system, extreme care should be taken to keep from touching such power lines or circuits as contact with them might be fatal. U.S.A. models only - refer to the National Electrical Code Article 820 regarding installation of CATV systems.
13. Overloading - Do not overload outlets and extension cords as this can result in a risk of fire or electric shock.
14. Object and Liquid Entry - Never push objects of any kind into this unit through openings as they may touch dangerous voltage points or short-out parts that could result in a fire or electric shock. Never spill liquid of any kind on the unit.
15. Servicing - Do not attempt to service this unit yourself as opening or removing covers may expose you to dangerous voltage or other hazards. Refer all servicing to qualified service personnel.
16. Damage Requiring Service - Unplug the unit from the outlet and refer servicing to qualified service personnel under the following conditions:
 - a. When the power-supply cord or plug is damaged.
 - b. If liquid has been spilled, or objects have fallen into the unit.
 - c. If the unit has been exposed to rain or water.
 - d. If the unit does not operate normally by following the operating instructions. Adjust only those controls that are covered by the operating instructions, as an improper adjustment of other controls may result in damage and will often require extensive work by a qualified technician to restore the unit to its normal operation.
 - e. If the unit has been dropped or the cabinet has been damaged.
 - f. When the unit exhibits a distinct change in performance-- this indicates a need for service.
17. Replacement Parts - When replacement parts are required, be sure the service technician has used replacement parts specified by the manufacturer or have the same characteristics as the original part. Unauthorized substitutions may result in fire, electric shock or other hazards.
18. Safety Check - Upon completion of any service or repairs to this unit, ask the service technician to perform safety checks to determine that the unit is in proper operating condition.
19. Coax Grounding - If an outside cable system is connected to the unit, be sure the cable system is grounded. U.S.A. models only-- Section 810 of the National Electrical Code, ANSI/NFPA No.70-1981, provides information with respect to proper grounding of the mount and supporting structure, grounding of the coax to a discharge unit, size of grounding conductors, location of discharge unit, connection to grounding electrodes, and requirements for the grounding electrode.
20. Lightning - For added protection of this unit during a lightning storm, or when it is left unattended and unused for long periods of time, unplug it from the wall outlet and disconnect the cable system. This will prevent damage to the unit due to lightning and power-line surges.

SAFETY PRECAUTIONS



The exclamation point within an equilateral triangle is intended to alert the user to presence of important operating and maintenance (servicing) instructions in the literature accompanying the appliance.

SECURITE



Le point d'exclamation contenu dans un triangle équilatéral, avertit l'utilisateur de la présence, dans la documentation qui accompagne l'appareil, de consignes d'utilisation et de maintenance importantes.

SICHERHEITSVORKEHRUNGEN



Das Ausrufezeichen in dem gleichseitigen Dreieck ist dazu da, den Benutzer auf wichtige Inbetriebnahme- und Instandhaltungs-vorschriften hinzuweisen, die dem Gerät in Form einer Broschüre beigelegt sind.

PRECAUCIONES DE SEGURIDAD



El símbolo de exclamación dentro de un triángulo equilátero, se muestra con el objetivo de alertar al usuario de que instrucciones de operación y mantenimiento importantes acompañan al equipo.

1 UNPACKING

Unpack carefully. If an item appears to have been damaged in shipment, replace it properly in its carton and notify the shipper. If any items are missing, notify Aigis Mechtronics.

The shipping carton is the safest container in which the unit may be transported. Save it for possible future use.

2 SERVICE

If the unit ever needs repair service, the customer should contact Aigis Mechtronics for authorization to return and shipping instructions.

3 ACCESSORIES

Flat Roof Mount

A bracket for mounting the Parapet Mount to a flat roof top or other suitable flat surface when a parapet wall is not available. Hardware to fasten mount to roof not included:

- MT9230R: Flat Roof Mount.

4 CARE AND MAINTENANCE

There are no moving parts in this unit. Regularly scheduled maintenance will help prolong the operational life of this unit. Regular inspection of the mounting hardware, particularly where the unit is fastened to a building or wall is recommended.

5 DESCRIPTION

The MT9230 is a stationary mount intended for roof top parapet walls. This mount will accommodate products designed for standard 1 1/2" NPT pipe thread. up to a rated load of 29 kg (64 lb). It is made of light weight aluminum with a corrosion resistant finish. The mount can be fitted to the inside or outside of parapet walls and can be swiveled to allow for easy positioning and servicing of the camera.

6 PARTS LIST

6.1 MT9230

Qty.	Part Description
1	Wall Mount
1	Pipe Arm
1	End Cap with o-ring
3	3/8-16 SS Hex Bolts
1	1/4 x 20 x 5/16" Pan Head SS Screw

6.2 MT9230R

Qty.	Part Description
1	Roof Mount
6	3/8-16 SS x 1 Hex Bolts
6	3/8-16 SS Hex Nuts
12	3/8 SS Flat Washer
6	3/8 SS Split Washer

7 INSTALLATION

This installation should be made by qualified service personnel and conform to all applicable local codes



Warning: Do not mount the Parapet Mount in an inverted position.

7.1 Wind Loading

The following information on Effective Projected Area (EPA) is provided to assist the installer in making sure that the installation of the Parapet Mount will meet local codes with regard to wind loading. Other dimensions that may be needed can be found in the instructions for the individual dome or housing.

MT9230 Parapet Mount EPA = 1.15 sq. feet

In general, it is recommended that the Parapet Mount and its associated camera unit not be installed in locations where wind speed is expected to exceed 100 mph (including gusts) or where a total wind load of 60 lb. (27 kg) is expected unless extra support and stabilization are provided.

If additional stabilization of the Parapet Mount is required or desired, it may be achieved using guy wires and a stainless steel eye bolt (not included). An attachment point for the eye bolt is provided at a threaded hole with 1/4" - 20 threads. Remove the cap screw (see **Figure 1**) installed at the factory and replace it with a stainless steel eye bolt. Avoid too much tension in the guy wires so as not to increase the downward load on the Parapet Mount beyond the rated load.

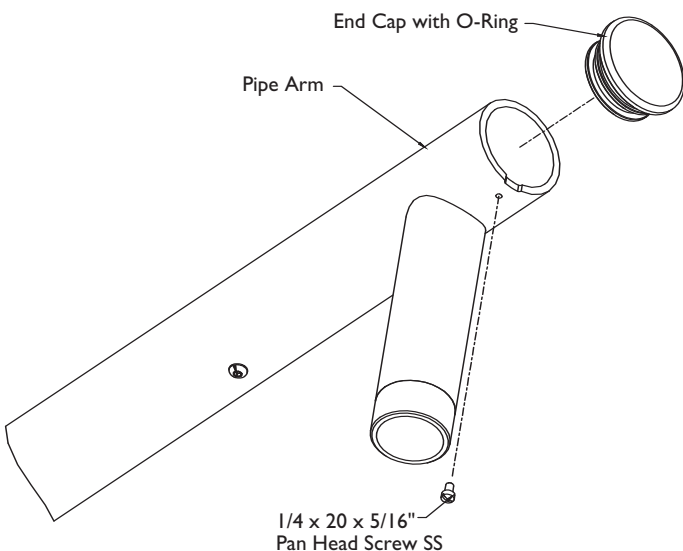


Figure 1: MT9230 with End Cap removed

7.2 Mounting Hardware

Mounting hardware has not been included. The mounting hardware must be selected to work with the type of wall to which the unit will be mounted.

CAUTION:



- For a secure installation use a minimum of six 3/8 inch (10 mm) diameter fasteners, three on each side of the mounting bracket. Use stainless steel fasteners.
- If bolts are used, they should extend through the mounting surface and be secured with flat washers, lock washers and nuts on the opposite side. Each bolt must have a minimum pull-out strength of 600 pounds (275 kg).
- If studs are used, they should be anchored in concrete or welded to a steel backer plate. Each stud must have a minimum pull out strength 600 pounds (275 kg).
- If the wall mount is attached to wood or to a blind structure (with no access to the rear), each fastener must have a minimum pull-out strength of 600 pounds (275 kg).

7.3 Tools Required

- Standard screwdriver.
- 9/16 inch wrench or socket.
- 16 mm wrench or socket (if using metric fasteners).
- 5/32" or 4mm Allen wrench (if wind load stabilization is desired).
- Thread sealant or pipe tape.
- Other tools as needed for preparing the mounting surface.

7.4 Parapet Wall Installation

- Determine the location of the unit on the wall. Choose a location to allow the mounting bracket to be placed as close as possible to the top of the wall. This will allow the best chance for the dome to clear the wall when it is swung into position and for maintenance.



CAUTION: Allow enough room below the mounting bracket for routing the camera and control cables.

- Using the wall mounting bracket as a template, position the bracket in the desired location and mark the hole locations on the wall. (see **Figure 2**). Use a minimum of six fasteners (three fasteners for each side of the mounting bracket).
- Prepare the mounting surface for the type of fasteners that will be used by drilling holes or mounting anchors, etc. as required.
- Apply a good quality sealant around each hole, anchor or stud at the mounting surface (see **Figure 2**).
- Install the mounting bracket and tighten all fasteners securely.
- Insert the pipe arm into the mounting bracket until it bottoms.
- Feed all electrical and control cables through the pipe arm and out the bottom of the mounting bracket. This

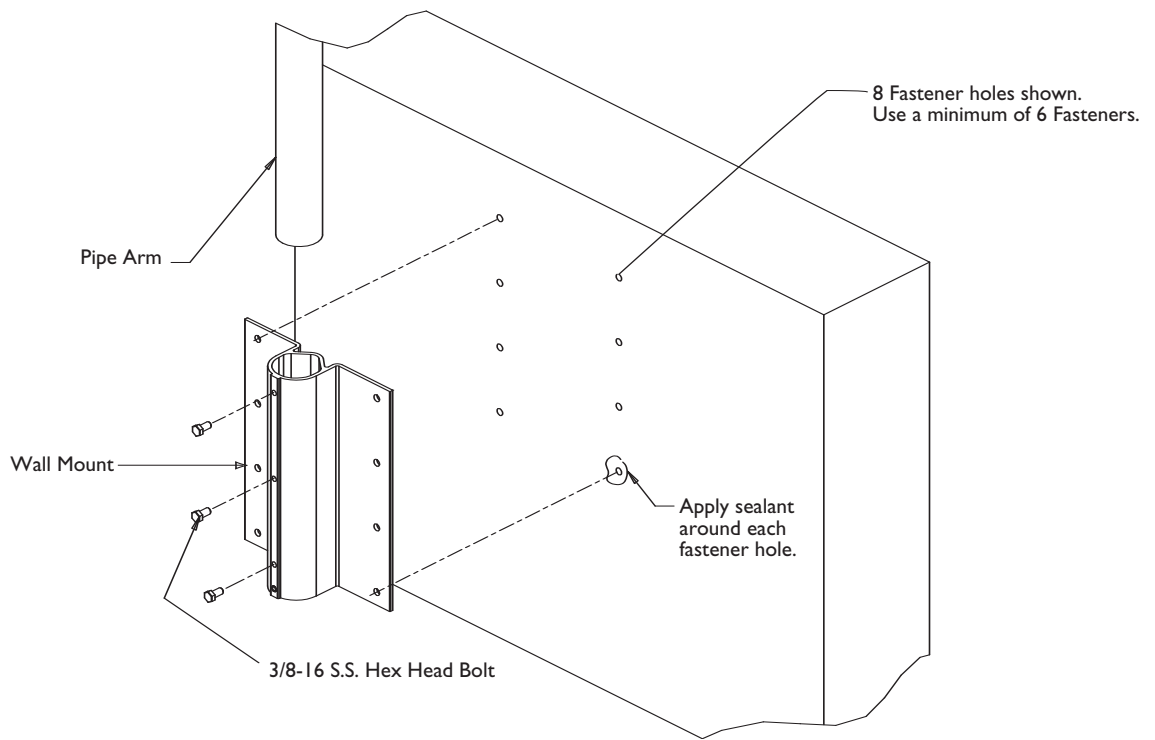


Figure 2: Installation of Wall Mount

may be easier if the pipe arm end cap is removed (see **Figure 1**). (Note: the cables may be fed through the pipe arm just prior to step 6 if desired).

8. Apply Thread sealant or pipe tape to the pipe threads to prevent gapping and water leakage. Attach the dome to the pipe arm at the pipe thread.



CAUTION: To prevent accidental loosening, the pipe connection should be threaded until it is fully secure (a minimum of four complete turns).

Secure the dome or housing according to the instructions with that unit.

9. Make all electrical connections. In some installations, lifting of the pipe arm may be required for the dome to clear the top of the wall when it is swung into position. Be sure to allow enough slack on the cables to permit rotating the pipe arm out over the roof and for swinging it back again when camera maintenance is required.
10. Rotate the pipe arm to swing the dome out from the roof and into the desired position. Tighten the three 3/8 inch stainless steel hex bolts (provided, see **Figure 2**) to secure the pipe arm into position.



CAUTION: Do not over tighten the bolts or stripping of the threads may occur. Maximum torque is 34 N-m (25 ft-lb).

11. After completing step 10 and if desired, the position of the pipe arm may be registered with the mounting bracket by removing the bottom 3/8 inch hex bolt and drilling through its hole and into the pipe arm with a 5/16 inch drill bit.



CAUTION: The drill need not go through the pipe arm wall (damage to the electrical cables may result) but only deep enough to create a pocket into which the tip of the bolt will fit. Allow the tapped hole to guide the drill; avoid damaging the threads.

7.5 Flat Roof Installation

Note:

The steps described here are very similar to the first steps of **Section 7.4**.

1. Determine the location of the Roof Mount on the roof.
2. Using the Roof Mount as a template, position it in the desired location and mark the hole locations on the roof surface (see **Figure 4**). Use a minimum of six fasteners (one at each corner and two more).
3. Prepare the mounting surface for the type of fasteners that will be used by drilling holes or mounting anchors, etc. as required.
4. Apply a good quality sealant around each hole, anchor or stud at the mounting surface.
5. Install the Roof Mount and tighten all fasteners securely.

8 SPECIFICATIONS

8.1 MT9230 Parapet Mount

Mounting: Do not mount the MT9230 in an inverted position. Mounting hardware not furnished.

Maximum Load: 29 kg (64 lb.). Load center of gravity located in line with load attachment point. Load attachment point uses 1-1/2 NPT (pipe thread).

Construction: Aluminum with stainless steel fittings.

Finish: White

Dimensions: See Figure 3.

Weight: 7.7 kg (17 lb.)

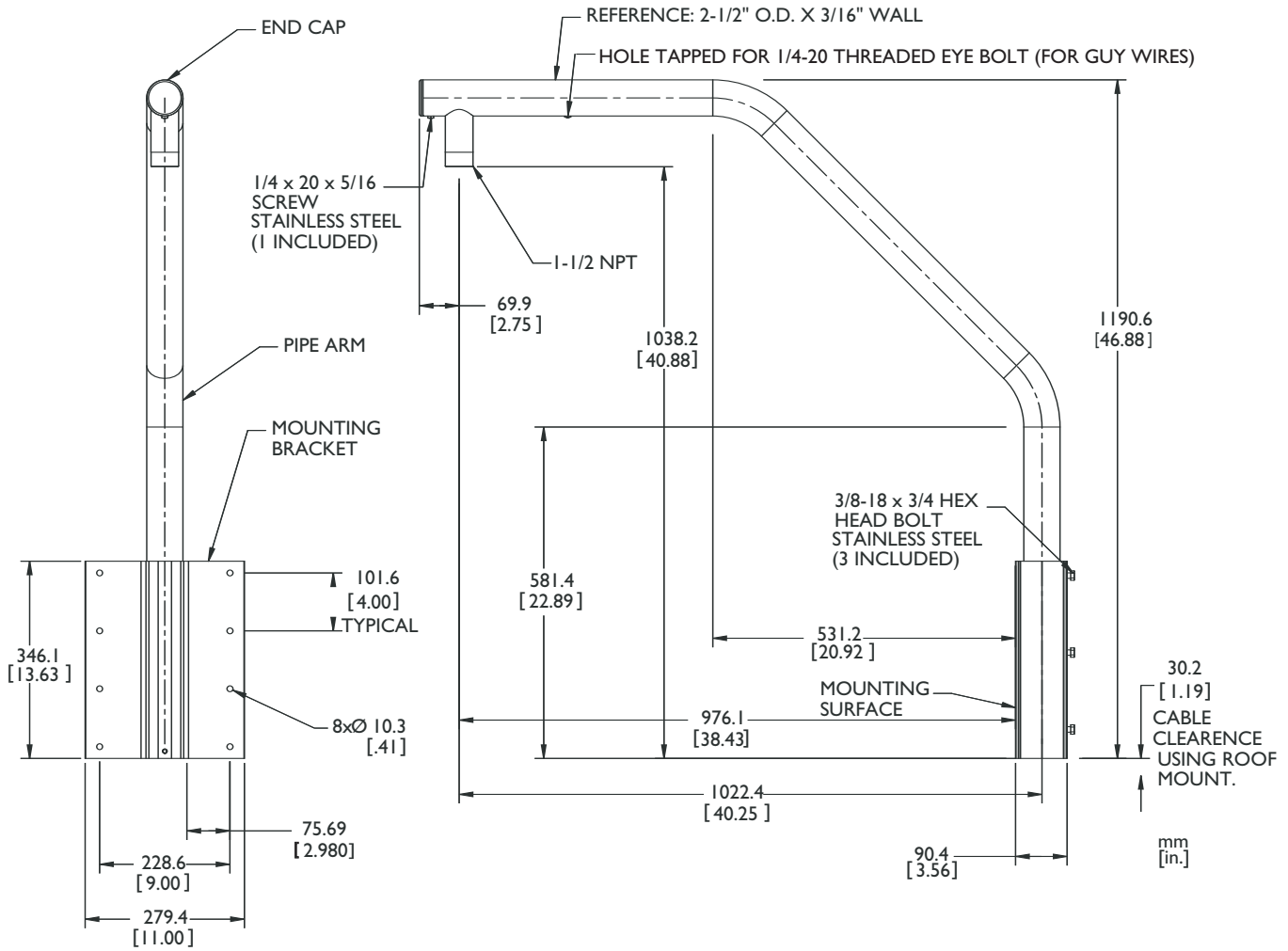


Figure 3: Dimensions MT9230 Parapet Mount

8.2 MT9230R Roof Mount

Mounting: The MT9230R is intended to mount in an upright position on a flat surface. Mounting hardware not furnished.

Maximum Load: 37 kg (81 lb.). Total load equal to one model MT9230 Parapet Mount at full rated capacity.

Construction: Welded Aluminum with stainless steel fasteners.

Finish: White.

Dimensions: See Figure 4.

Weight: 3.6 kg (8 lb.).

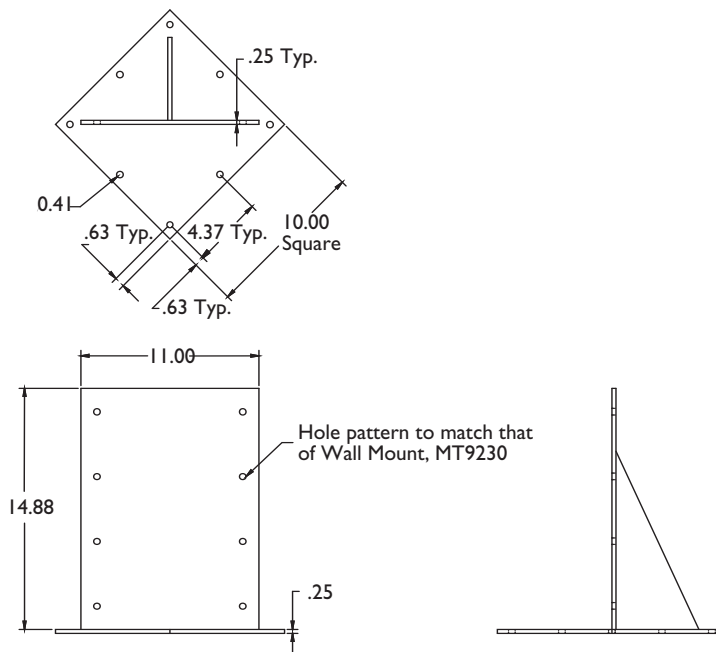


Figure 4: Dimensions MT9230R Roof Mount



mechtronics

©2006 Aigis Mechtronics

1124 Louise Road, Winston-Salem, NC 27107-5450

Tel: 336.785.7740 Fax: 336.785.7744

WWW.AIGISMECH.COM

Data subject to change without notice

100 0046 002 AIG 05/06

Printed in U.S.A.