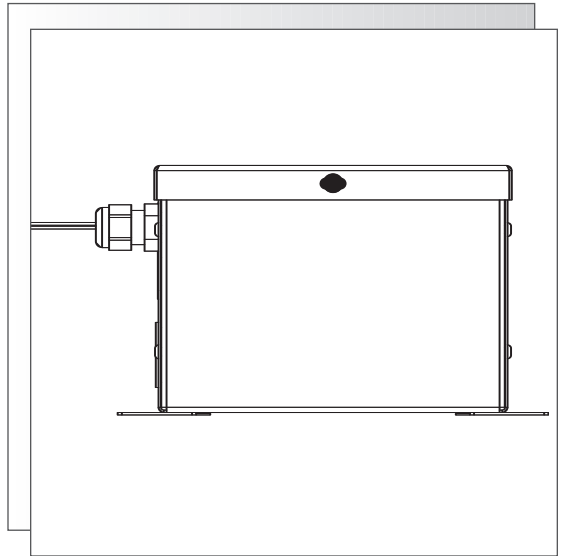


Power Supply



PS- Series

SAFETY PRECAUTIONS



CAUTION
RISK OF ELECTRIC SHOCK. DO NOT OPEN!



CAUTION: TO REDUCE THE RISK OF ELECTRICAL SHOCK, DO NOT OPEN COVERS. NO USER SERVICEABLE PARTS INSIDE. REFER SERVICING TO QUALIFIED SERVICE PERSONNEL.

This label may appear on the bottom of the unit due to space limitations.



The lightning flash with an arrowhead symbol within an equilateral triangle is intended to alert the user to the presence of uninsulated "dangerous voltage" within the product's enclosure that may be of sufficient magnitude to constitute a risk of electric shock to persons.



The exclamation point within an equilateral triangle is intended to alert the user to presence of important operating and maintenance (servicing) instructions in the literature accompanying the appliance.



Attention: Installation should be performed by qualified service personnel only in accordance with the National Electrical Code or applicable local codes.

WARNING: TO PREVENT FIRE OR SHOCK HAZARD, DO NOT EXPOSE UNITS TO RAIN OR MOISTURE.

1. UNPACKING

Unpack carefully. This is an electromechanical device and should be handled carefully. Remove all of the items from the box.

Check to ensure that the item number ordered is included:

- PS-24VA4A-PB Steel Power Supply Box.
- or
- PS-28VA4.6A-PB Steel Power Supply Box.
- 6 ft. Power Cord

2. SERVICE

If the unit needs repair service or parts contact Aigis for authorization to return and shipping instructions.

3. DESCRIPTION

The PS-24VA4A-PB converts 120V to 24 VAC, 4 Amp output the PS-28VA4.6A-PB converts 120V to 26VAC, 3.8 Amp output, both consist of a steel construction power supply with a 6 foot power cord.

Construction/Finish: Powder Coated Steel

4. INSTALLATION

Attention: Installations should be performed by qualified service personnel only in accordance with the National Electrical Code or applicable local codes.

4.1 Mounting the Power Supply

1. Position the Power Supply in desired location.

Note: If needed the power supply can be more permanently secured using the mounting tabs. Use 4 screws up to 1/4" diameter each (not provided). Each tab will need two screws.

If the position of the power supply is such that the mounting tabs need to be on the opposite sides they can be repositioned. See **Figure 1** for locations of the 4 hex nuts used to hold the mounting tabs in place. Simply remove the hex nuts, reposition tabs, replace the hex nuts and tighten.

2. Located on the inside cover of the power supply or see **Figure 3**, is a Maximum Wire Length Chart use this as a guide to help determine the wire gauge.
3. Feed the power leads through the Heyco fitting and attach both wires to the terminal block as shown in **Figure 1**.

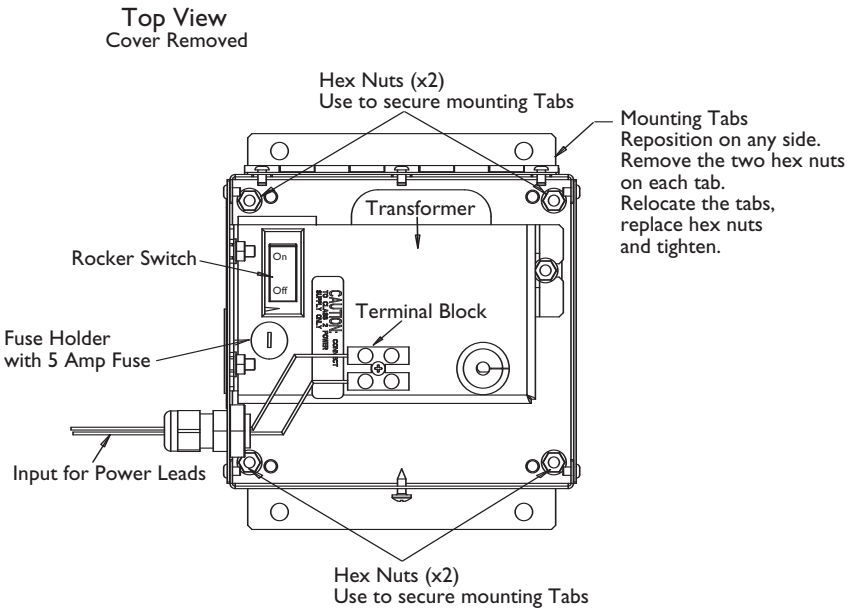


Figure 1: PS24VA4A-PB & PS28VA4.6-PB

4. Plug in the 6 foot power cord (supplied) to the 120 V input. See **Figure 2**.
5. The Rocker Switch should be set to ON.

Note: If you experience a power failure this switch may trip and be in the OFF position, in that case it would need to be set back to ON to receive power.

6. Plug 6ft. power cord into external power source.

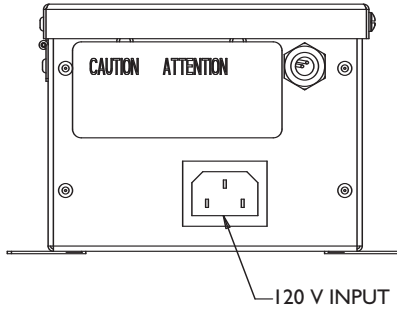


Figure 2: 120 V Input

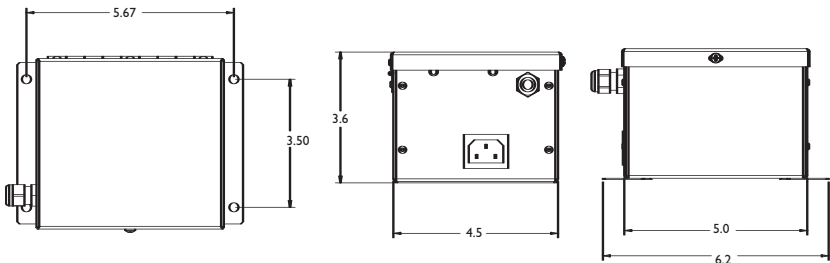
4.2 Maximum Distances when used with the 20-inch CrystalVue™ Public View Display

NOTE: To ensure proper AC voltage at the source refer to a copper wire table and line loss table for exact engineering specifications.

Maximum distances with specified wire gauges using a 24V transformer:		Maximum distances with specified wire gauges using a 26V transformer:	
20 AWG 40 Feet	14 AWG 170 Feet	20 AWG 80 Feet	14 AWG 340 Feet
18 AWG 70 Feet	12 AWG 270 Feet	18 AWG 140 Feet	12 AWG 540 Feet
16 AWG 100 Feet	10 AWG 430 Feet	16 AWG 200 Feet	10 AWG 860 Feet

5. DIMENSIONAL OUTLINE

PS24VA4A-PB & PS28VA4.6-PB



©2005 Aigis Mechtronics

1124 Louise Road, Winston-Salem, NC 27107-5450

Tel: 336.785.7740 Fax: 336.785.7744

100 0170 001 AIG 03/06

Printed in U.S.A.

Data subject to change without notice