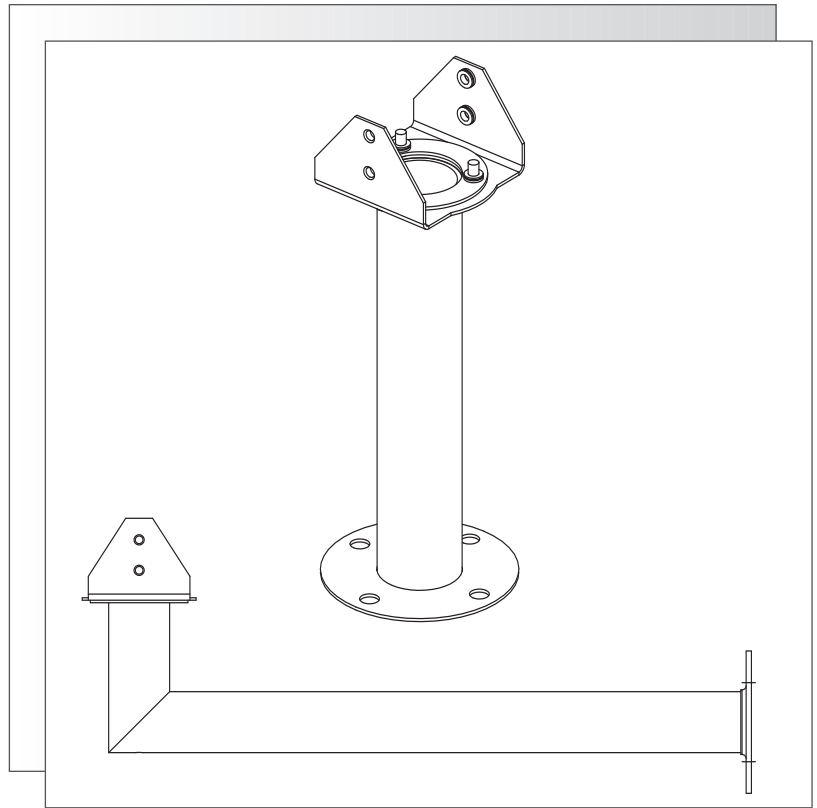


**INDOOR/OUTDOOR  
STAINLESS STEEL  
HOUSING MOUNTS**



**MT9208SS, MT9212SS  
MT9215SS**

## SAFETY PRECAUTIONS



The exclamation point within an equilateral triangle is intended to alert the user to presence of important operating and maintenance (servicing) instructions in the literature accompanying the appliance.

## SECURITE



Le point d'exclamation à l'intérieur d'un triangle équilatéral avertit l'utilisateur de la présence d'instructions importantes d'utilisation et de maintenance dans la documentation accompagnant l'appareil.

## SICHERHEITSVORKENHRUNGEN



Das Ausrufezeichen in dem gleichseitigen Dreieck ist dazu da, den Benutzer auf wichtige Inbetriebnahme- und Instandhaltungsvorschriften hinzuweisen, die dem Gerät in Form einer Broschüre beigelegt sind.

## PRECAUCIONES DE SEGURIDAD



El símbolo de exclamación dentro de un triángulo equilátero, se muestra con el objetivo de alertar al usuario de que instrucciones de operación y mantenimiento importantes acompañan al equipo.

## 1 UNPACKING

Unpack carefully. This is mechanical equipment and should be handled with care.

Check for the following items:

- Verify the unit model number.
- Instructions for Use.

If an item appears to have been damaged in shipment, replace it properly in its carton and notify the shipper. If any items are missing, notify Aigis Mechtronics. The shipping carton is the safest container in which the unit may be transported. Save it for possible future use.

## 2 SERVICE

If the unit ever needs repair service, the customer should contact Aigis Mechtronics.

## 3 DESCRIPTION


**MT9208SS 20-cm (8-in) Mount**

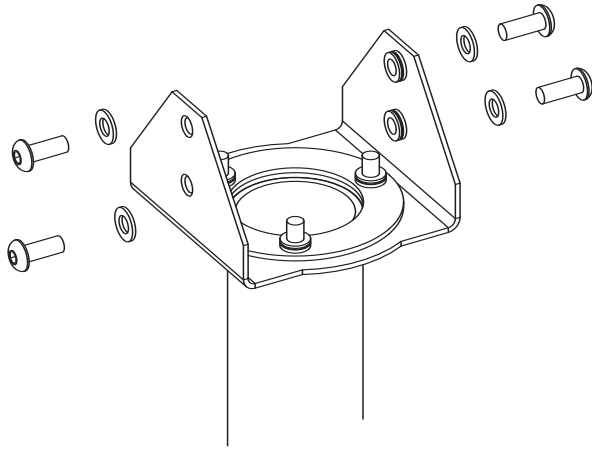
**MT9212SS 30-cm (12-in) Mount**

**MT9215SS 38-cm (15-in) Mount**

These indoor/outdoor mounts are designed for camera housing installations up to 11.3 kg (25 lb) rated load for the MT9208SS and the MT9212SS and 22.68kg (50 lbs) for the MT9215SS. These models are made of Stainless Steel and feature welded construction, providing an extremely rigid camera mount. These mounts have been designed specifically for the HS9383S series housings. All mounts come fully assembled.

## 4 INSTALLATION

1. Determine a secure wall mounting location.
2.  **Cautions:**
  - a. For a secure installation, use four 8-mm (5/16-in) diameter fasteners (not included). Use stainless steel fasteners.
  - b. If bolts are used, they should extend through the mounting surface and be secured with flat washers, lock washers, and nuts on the opposite side. Each bolt must have a minimum pull-out strength of 200 kg (450 lb).
  - c. If studs are used, they should be anchored in concrete or welded to a steel backer plate. Each stud must have a minimum pull out strength of 200 kg (450 lb).
  - d. If the wall mount is attached to wood or to a blind structure (with no access to the rear), each fastener must have a minimum pull-out strength of at least 200 kg (450 lb).
3. Locate the four holes or stud locations using the flange as a template (four holes equally spaced on a 69.9-mm (2-3/4-in bolt circle).
4. Feed wires through the large hole in the flange where the camera housing mounts.
5. Install the mount using bolts or studs at least 8-mm (5/16-in) in diameter.
6. To mount the camera housing:
  - a. Remove the 4 screws and washers from the head of the mount. See **Figure 1**.
  - b. Attach the housing to the mount by aligning the holes in the foot of the housing with the 4 holes in the mount. See **Figure 2**.
  - c. Reinstall the screws and the washers.
  - d. Lock the mount head in position by using the supplied 1/8-inch long-arm hex wrench to tighten screws.



**Figure 1**

## 5 SPECIFICATIONS

### 5.1 MT9208SS 20-cm (8-in) Indoor/Outdoor Mount

**Maximum Load:** 11.3 kg (25 lb).

**Mounting Head:** Adjustable. 360° pan, 180° tilt.

**Finish:** Polished.

**Approx. Weight:** 0.5 kg (1.0 lb).

**WARNING:** All mounts must be mounted as shown.

### 5.2 MT9212SS 30-cm (12-in) Indoor/Outdoor Mount

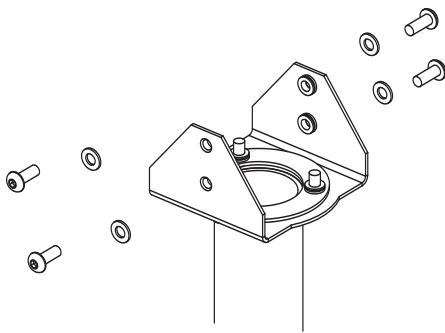
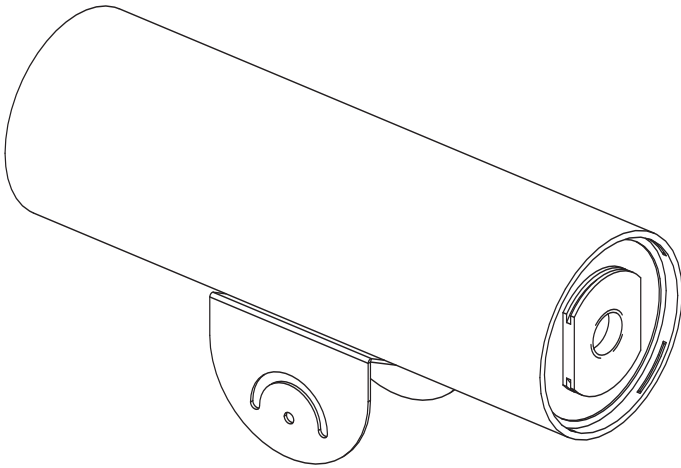
**Maximum Load:** 11.3 kg (25 lb).

**Mounting Head:** Adjustable. 360° pan, 180° tilt.

**Finish:** Polished

**Approx. Weight:** 0.68 kg (1.5 lb).

**WARNING:** All mounts must be mounted as shown.



**Figure 2**

### 5.3 MT9215SS 38-cm (15-in) Indoor/Outdoor Mount

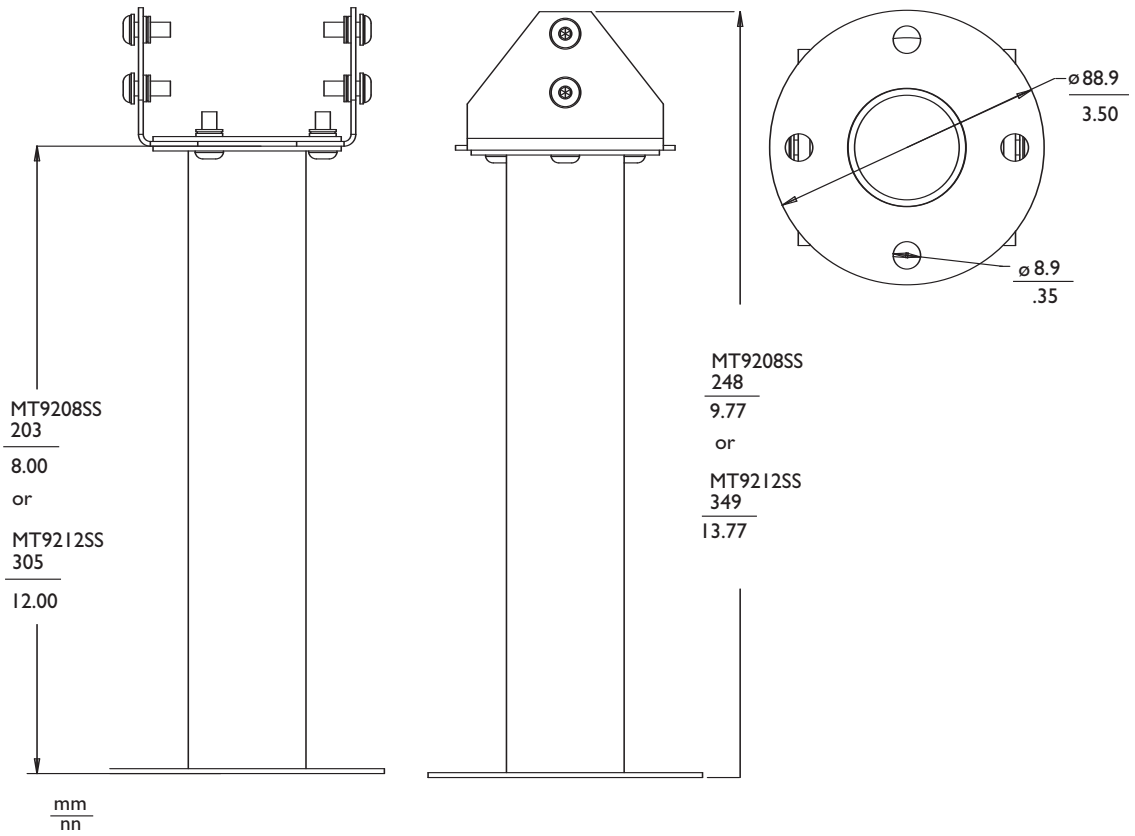
**Maximum Load:** 22.68 kg (50 lb).

**Mounting Head:** Adjustable. 360° pan, 180° tilt.

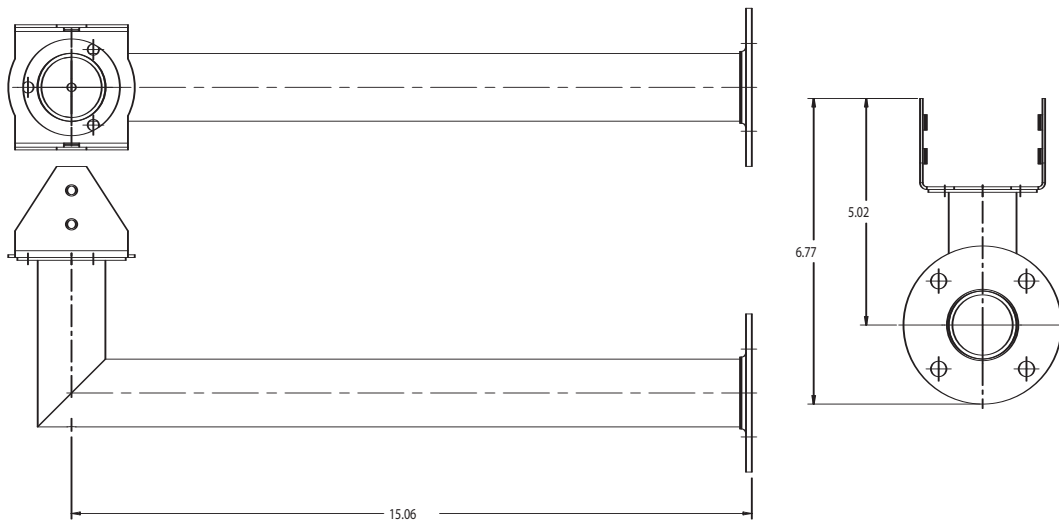
**Finish:** Polished

**Approx. Weight:** 1.13 kg (2.5 lb).

# 6 DIMENSIONAL OUTLINE



**MT9208SS 8" & MT9212SS 12" Dimensional Outline**



**MT9215SS Dimensional Outline**



mechtronics

©2005 Aigis Mechtronics

1124 Louise Road, Winston-Salem, NC 27107-5450

Tel: 336.785.7740 Fax: 336.785.7744

100 0153 002 AIG 01/08

Data subject to change without notice

Printed in U.S.A.